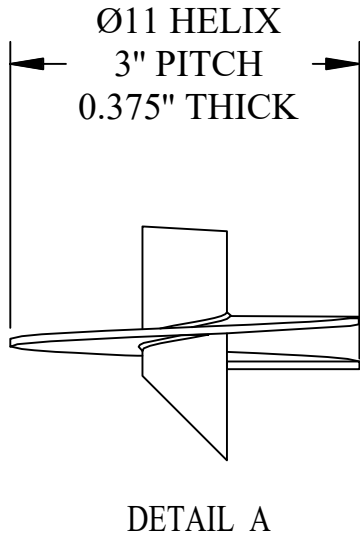
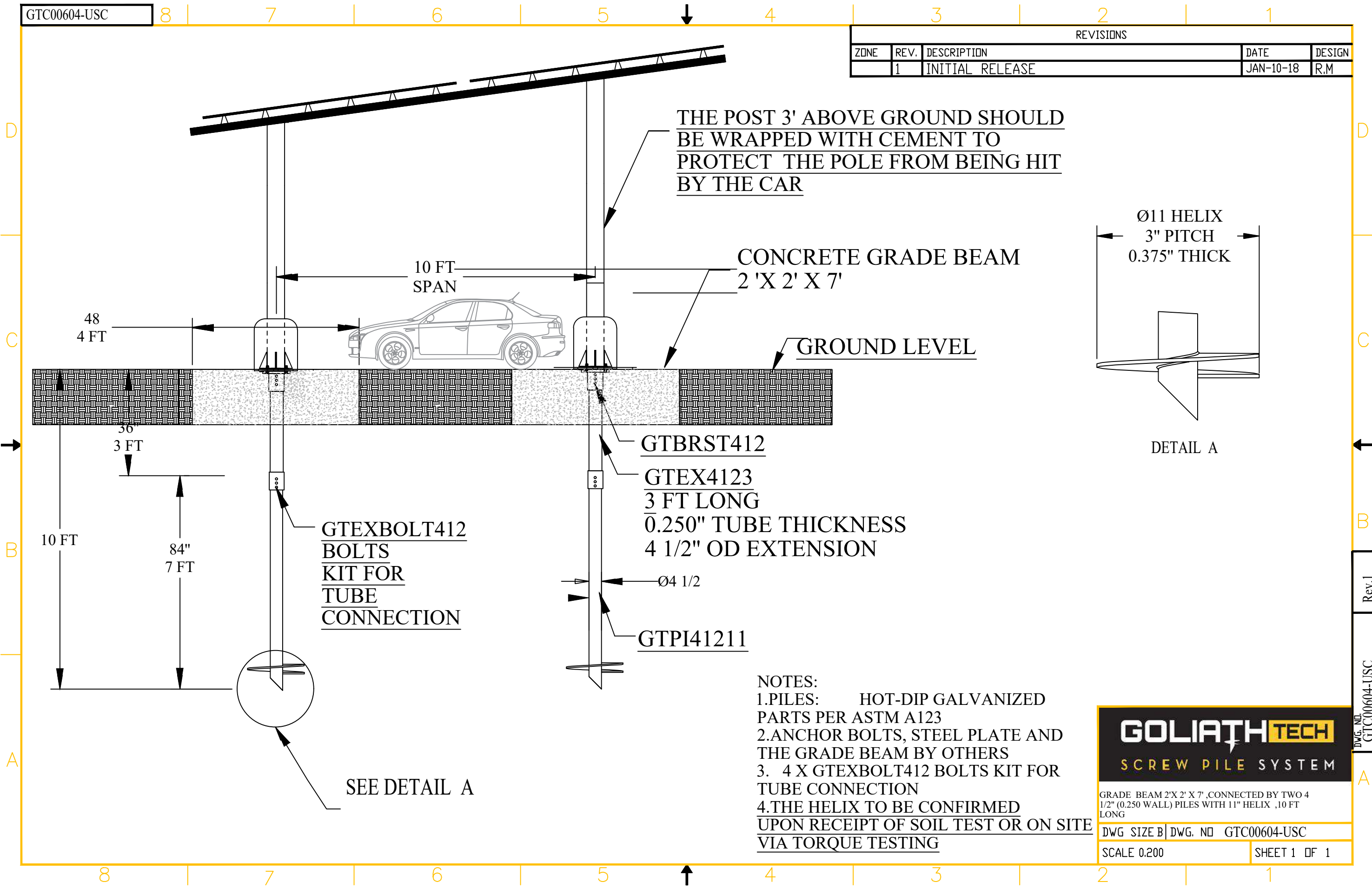


GTC00604-USC

REVISIONS				
ZONE	REV.	DESCRIPTION	DATE	DESIGN
	1	INITIAL RELEASE	JAN-10-18	R.M

THE POST 3' ABOVE GROUND SHOULD BE WRAPPED WITH CEMENT TO PROTECT THE POLE FROM BEING HIT BY THE CAR



GTBRST412
GTEX4123
3 FT LONG
0.250" TUBE THICKNESS
4 1/2" OD EXTENSION

GTEXBOLT412
BOLTS
KIT FOR
TUBE
CONNECTION

GTPI41211

NOTES:
 1. PILES: HOT-DIP GALVANIZED PARTS PER ASTM A123
 2. ANCHOR BOLTS, STEEL PLATE AND THE GRADE BEAM BY OTHERS
 3. 4 X GTEXBOLT412 BOLTS KIT FOR TUBE CONNECTION
 4. THE HELIX TO BE CONFIRMED UPON RECEIPT OF SOIL TEST OR ON SITE VIA TORQUE TESTING

SEE DETAIL A



GRADE BEAM 2'X 2' X 7', CONNECTED BY TWO 4 1/2" (0.250 WALL) PILES WITH 11" HELIX, 10 FT LONG
 DWG. SIZE B | DWG. NO. GTC00604-USC
 SCALE 0.200 | SHEET 1 OF 1

DWG. NO. GTC00604-USC Rev.1